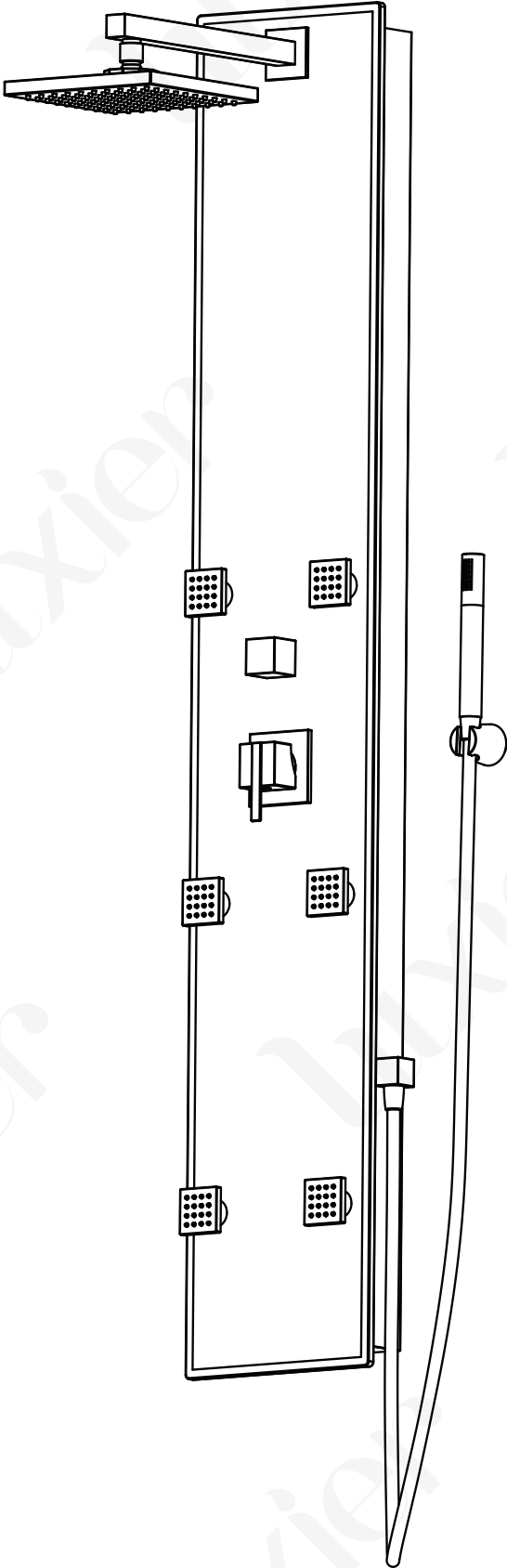


Luxier SP01-GS



Thank you for purchasing Luxier products. Please read the information below and keep it for future reference. If you require assistance, please contact us by email at support@luxierusa.com.

Limited Warranty

Provided that the conditions for warranty eligibilities are met, this product is warranted to the original purchaser for two (2) years from the date of purchase to be free of structural and mechanical defects due to faulty materials or workmanship. This warranty does not cover any labor or service charges associated with the removal, repair, or reinstallation of Luxier product. This express warranty does not apply to products that have been damaged as a result of misuse, abuse, negligence, accident, faulty installation or maintenance practice and/or used in any manner contrary to those recommended by the manufacturer. If a structural or mechanical defect occurs during the warranty period, Luxier USA will, as its option, (1) repair or replace the defective part(s) or product at no charge; (2) issue a refund of the purchase price paid for the product (Valid within 30 days from the date of purchase); or (3) issue a credit to be applied toward the purchase of a new Luxier product. Shipping/delivery charges may apply and are in Luxier USA's sole discretion. Warranty is only valid for Luxier products purchased from Luxier USA. To be eligible for warranty coverage, the original purchaser must provide valid copy of the invoice from Luxier USA.

For Warranty Service

To obtain service under the Limited Warranty, please contact the Luxier USA Customer Care Department by email at support@luxierusa.com. Do not ship your product back to Luxier USA. The Luxier USA Customer Care Department will decide whether to repair or replace your product, issue a refund, or issue a credit. Luxier USA is dedicated to providing the best customer service. All emails will be replied within one (1) business day

Attention

- Please READ ALL the instructions completely before installation.
- Always take extra precautions and wear appropriate safety equipment when installing this product.
- Proper water pressure needs to be maintained to prevent possible scalding.

You may also need the following tools

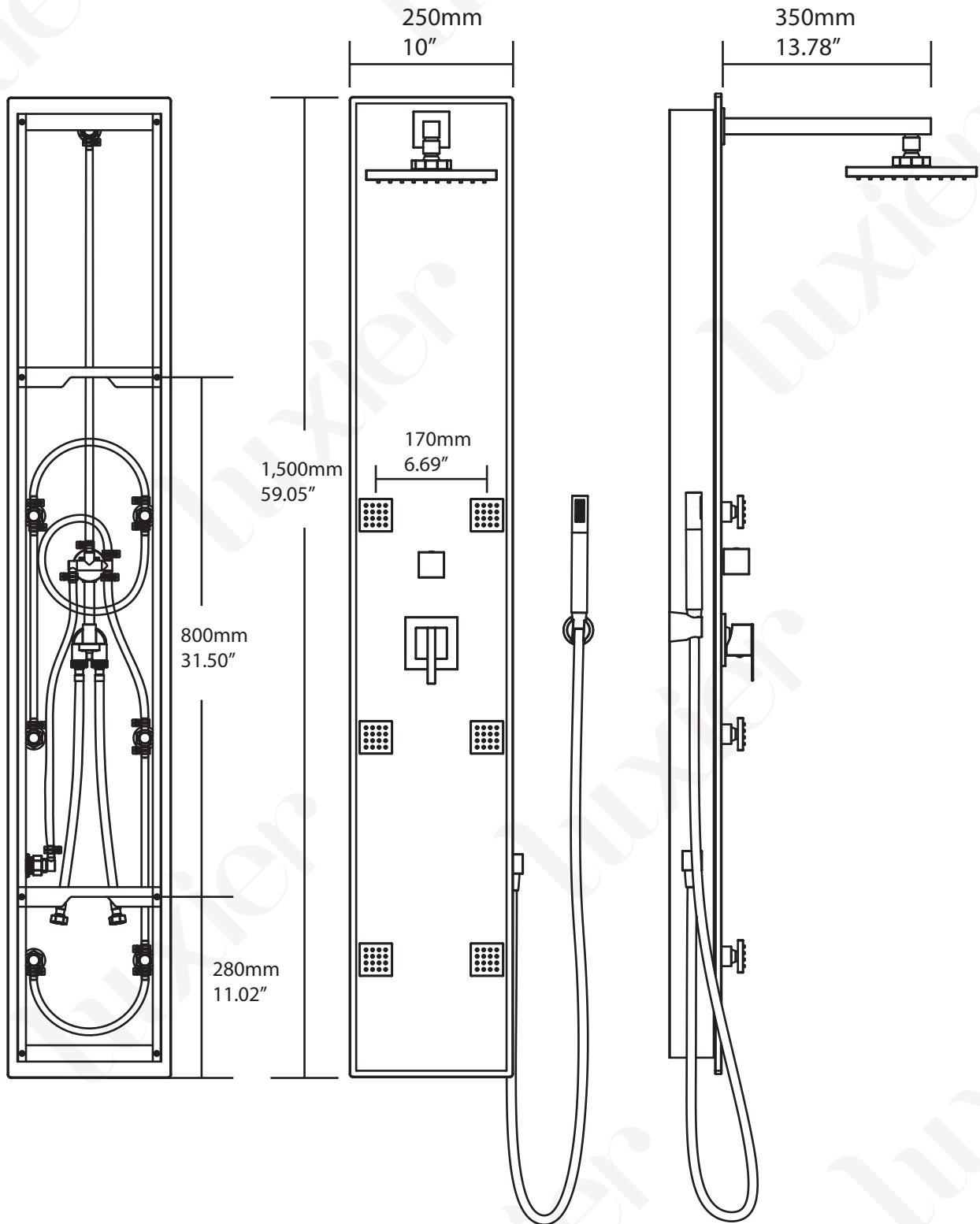
1. Thread Sealant Tape, (PTFE Tape)	5. Pencil or Marker
2. Silicon Sealant	6. Level
3. Phillips Screw Driver	7. Hammer
4. Drill with 1/4" Drill bit	

Preparation

1. Please make sure the water supply is shut off to the installation area. If necessary, shut off the water to the entire house.
2. Close the water valve and turn off the power to the water heater.
3. Open the hot and cold water at a bathroom faucet to relieve the pressure in the plumbing system.

Features

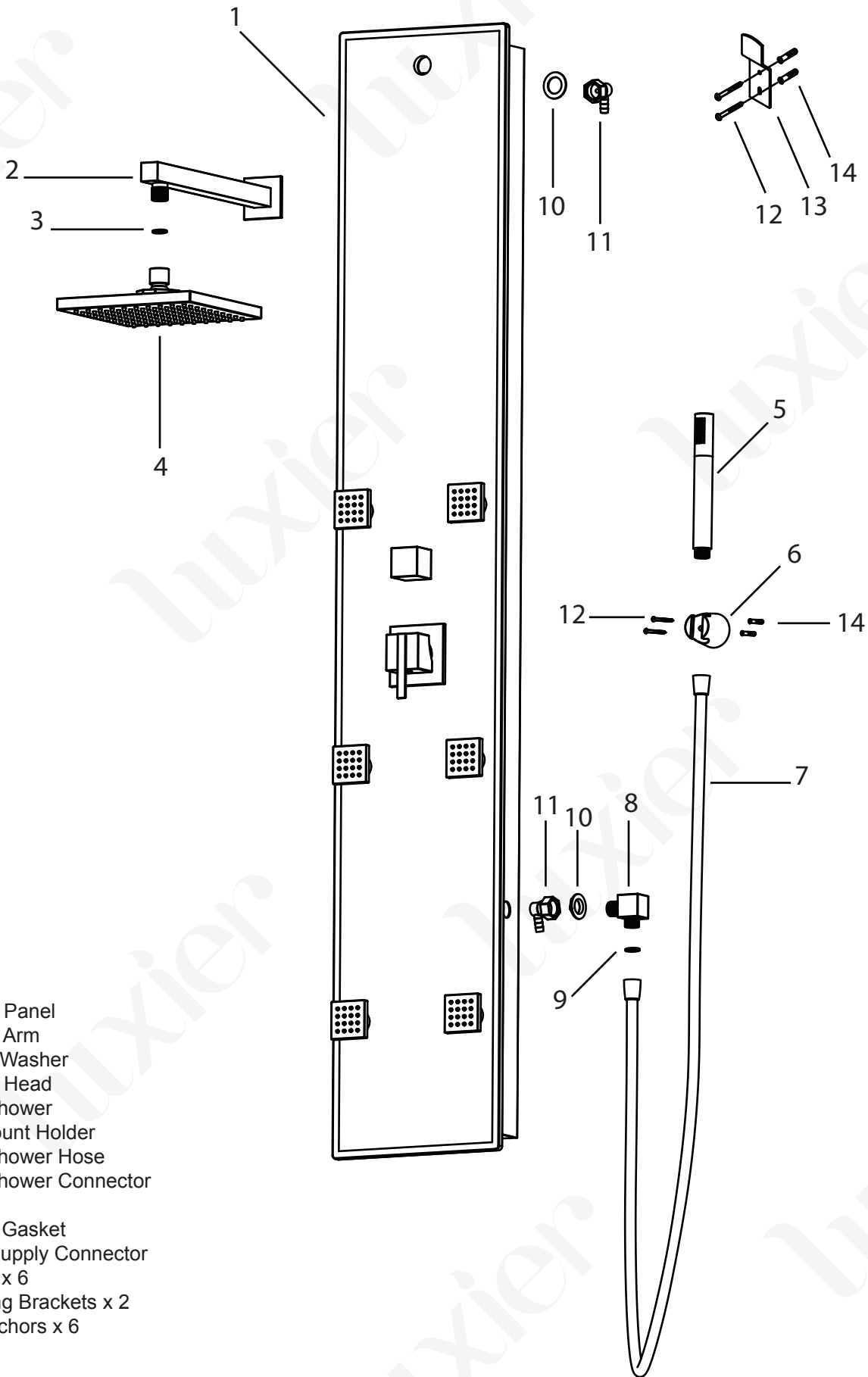
- Stunning stylish european inspired design with black tempered glass panel
- Durable aluminum frame construction
- 14" chrome brass shower arm
- 8" chrome square ABS rainfall shower head
- 6 adjustable angle brass massage jets with 16 nozzles on each jet



Technical Data

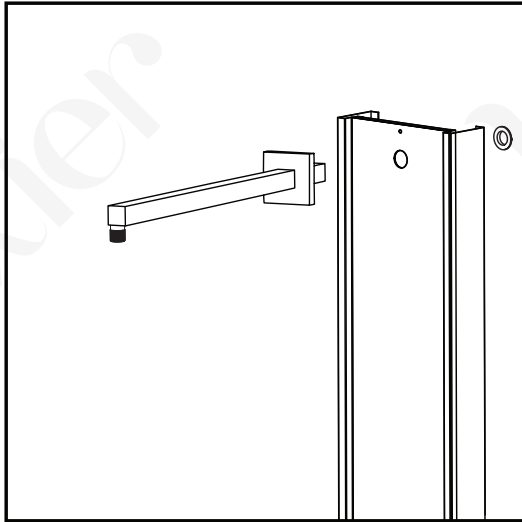
Recommended Operating Pressure: 50 - 80 PSI

Parts List

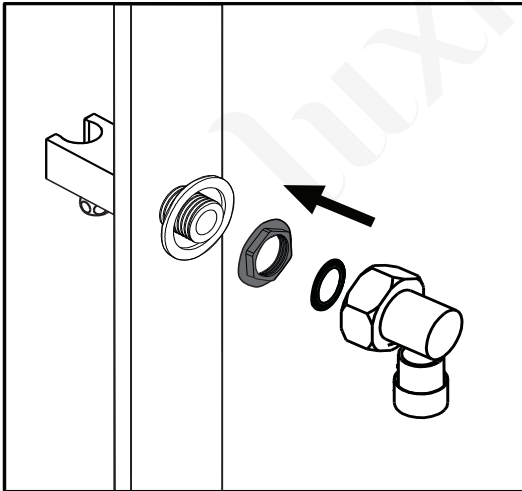


- 01. Shower Panel
- 02. Shower Arm
- 03. Screen Washer
- 04. Shower Head
- 05. Hand Shower
- 06. Wall Mount Holder
- 07. Hand Shower Hose
- 08. Hand Shower Connector
- 09. O-ring
- 10. Rubber Gasket
- 11. Water Supply Connector
- 12. Screws x 6
- 13. Mounting Brackets x 2
- 14. Wall Anchors x 6

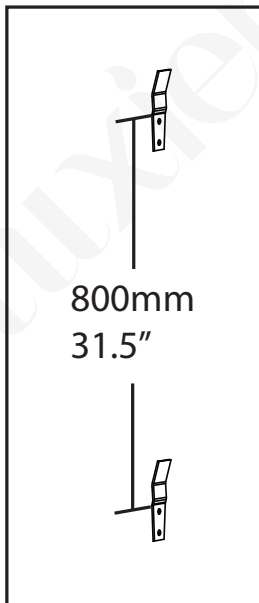
Installation



1. Attach shower head / arm assembly to the panel body. Make sure to install screen washer to protect shower head from debris in the plumbing system.



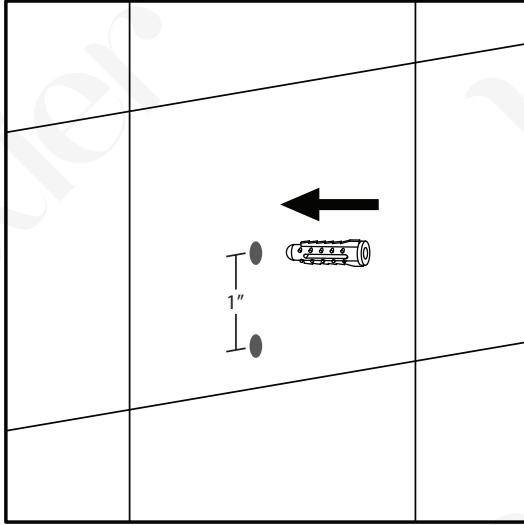
2. Install hand shower connector and attach PVC tubing to complete the connection.



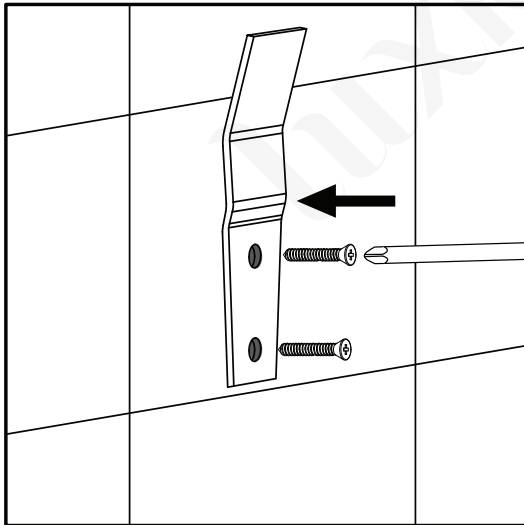
3. Lift the panel to determine the proper height and placement. (**NOTE:** It is recommended to aim the top horizontal body jet to the chest area for optimal showering experience.)

Mark the positions of the 2 brackets on the wall and set a side the panel. (**NOTE:** The distance between the two brackets should be 31.50" or 800mm)

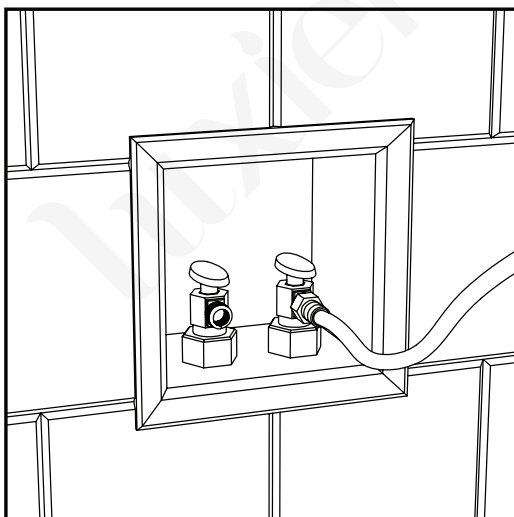
Installation (cont.)



4. Using a drill with a tile bit, drill the hole slowly into the tile. Do not drill into any piping or wiring in the wall. Insert the anchors into the wall. (**NOTE:** Before installing the wall anchors, use a small piece of painters tape or masking tape over the drill area. This will prevent damages to the tile)

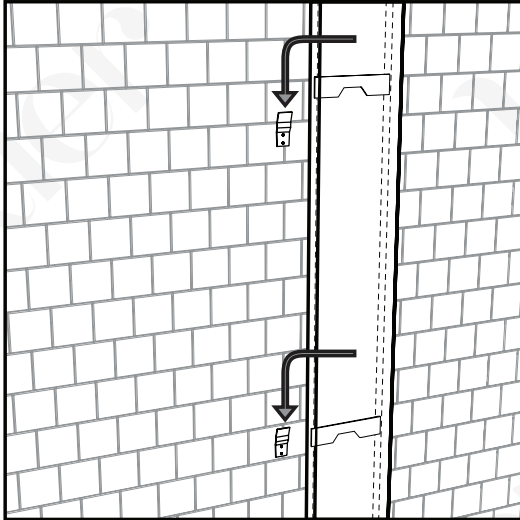


5. Secure the mounting brackets to the wall.

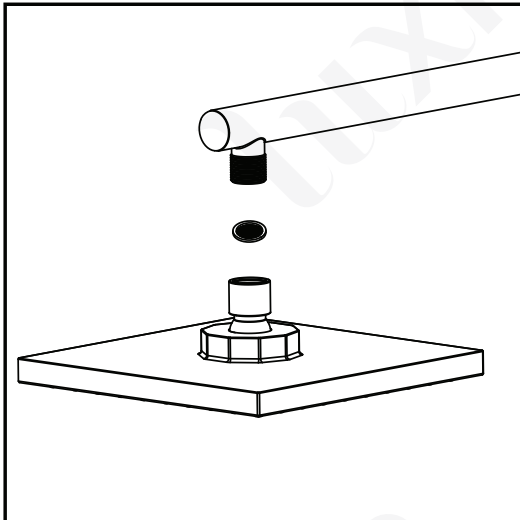


6. Apply thread sealant tape to the threading on the shut off valves before connect both hot and cold water supply hoses to the valves. Turn on the valves and check all connections for possible leaks.

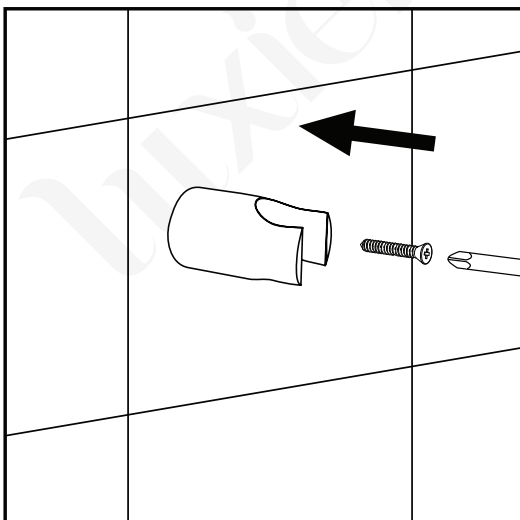
Installation (cont.)



7. Hang the unit on the wall to complete the installation. Make sure the unit is seated properly. Apply silicon sealant on left and right sides of the shower panel. (**NOTE:** do not seal the bottom of the panel, this will allow any possible future leaks to drain out the panel)



8. Attache shower head. Make sure to install screen washer (03) to protect shower head from debris in the plumbing system. Connect hand shower hose to the main panel body and install the hand shower unit.



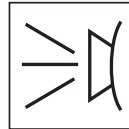
9. Place the hand shower cradle at desired location (preferably on the right side of the panel) and follow step 4 when drilling and mounting the cradle.

Operation

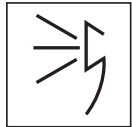
1. To operate the unit lift up the handle to turn on water.
2. Swivel handle from side to side to set desired water temperature.
3. Turn the top knob to select desired water feature.



Overhead Rainfall Shower



Horizontal Body Jets



Handheld Shower

Maintenance Guide

Please follow the cleaning material manufacturer's instructions. In addition, pay attention to the following points:

1. Regular cleaning can prevent mineral build up on shower head and handheld shower.
2. Use a mild detergent such as liquid dishwashing soap and warm water for cleaning.
3. Do not use abrasive / harsh chemical when cleaning the fixture as they will damage and dull the finish.
3. Carefully read the cleaner product label to ensure the cleaner is safe for use on the material.
4. Test the cleaner on a small area before using on the entire surface.
5. Do not leave the cleaner on the fixture longer than necessary.
6. When using spray cleaners, spray first onto a soft cloth or sponge. Never spray directly onto the faucet as droplets can enter openings and gaps and cause damage.
5. After cleaning, rinse thoroughly with clean water to remove any cleaner residue.